

FALCON SUBROSA® WALL WASHER

W Track Luminaires

WAC ARCHITECTURAL

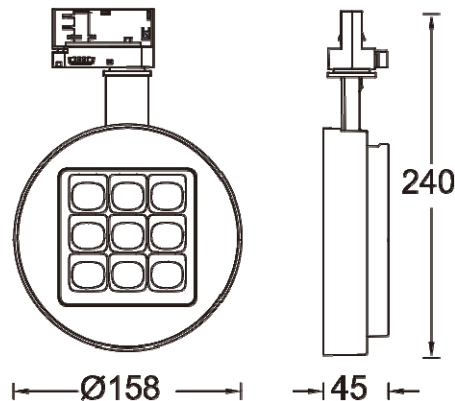
Project Name:

Type:

Product Image



Line Drawing



Product Description

The FALCON SUBROSA® Wall Washer series (hereinafter referred to as WW) is a LED track light for W three-circuit tracks. The slim, three-dimensional structure of the luminaire provides precise wall washer light distribution through WAC's elaborate optical design. Built-in high-quality LED constant current electrical appliances, the fixtures can be selected with advanced wireless dimming control, and are widely used in museums, art galleries, science and technology centers and other venues.

Product Features

- **Body Material:** Aluminum Die-Cast Lamp Body, PC Optics
- **Optical System:** Double lens + SUBROSA® reflector
- **Finish:** Electrostatic Powder Coating, Black (BK), White (WT)
- **Projection Angle:** Horizontal 0°~365° adjustment; Vertical 0~90° adjustment
- **Accessory/Bracket:** Up to additional anti-glare accessories;
- **Certification:** CCC
- **IP Rating:** IP20
- **Insulation Class:** Class I
- **Operating Temperature:** -20°C~40°C

Product Specifications

- **LED Type:** HP LED
- **Power:** 18W or 27W optional
- **Source Lm:** 3000K: 1575lm(18W) / 2125lm(27W)
4000K: 1665lm(18W) / 2245lm(27W)
- **LED Lifetime:** >50000h-L70 / B10-Ta25°C(LM-80/TM-21)
- **CCT/CRI:** 3000K / 4000K; Ra90 or Ra97 optional
- **SDCM:** 3 SDCM
- **Input:** 220~240VAC / 50Hz
- **Dimming:** Knob dimming (range 10~100%), wireless dimming (need to be equipped with WAC system), DALI, 0-10V dimming (must be done in advance with the project site to match the test).
- **Net Weight:** Approx. 0.9Kg, excluding packaging

Order Model

Model	LED	Dimming	Beam	CRI	CCT	Finish
ATL72W		O On-boarding				
FALCON	LD18 LED 18W	D 0-10V	C SUBROSA®	9 90	30 3000K	WT White
ROUND	LD27 LED 27W	B Wireless	Wall Washer	A 97	40 4000K	BK Black
WW		A DALI				
ATL72W	LD18	O	C	9	30	WT

Example: ATL72WLD18-O-C930WT

WAC Lighting
www.waclighting.com (US)
www.waclighting.net (International)

Headquarters
44 Harbor Park Drive • Port Washington, NY
Phone (516) 515.5000 • Fax (516) 515.5050

WAC GROUP
TECHNOLOGY ILLUMINATED

FALCON SUBROSA® WALL WASHER



W Track Luminaires

WAC ARCHITECTURAL

Project Name:

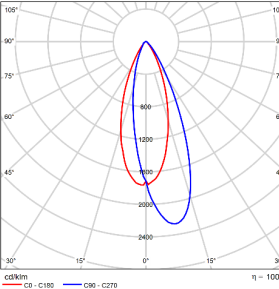
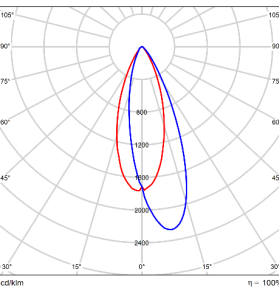
Type:

Accessory

<p>ALENS-TL72WSUBROSA Hidden Light Projection Kit</p> 	<p>ALENS-TL72S-BD Four-leaf Blindfold</p> 
--	--

Note: Please refer to the instruction manual when installing the hidden light projection kit.

Light Distribution @3000K Data

	<p>MODEL : ATL72WLD18-OC930</p> <hr/> <p>BEAM ANGLE : Wall Washer</p> <hr/> <p>POWER : 21W</p> <hr/> <p>LUMENS : 1172lm</p> <hr/> <p>CBCP : /</p> <hr/> <p>EFFICACY : 56lm/W</p> <hr/>		<p>MODEL : ATL72WLD27-OC930</p> <hr/> <p>BEAM ANGLE : Wall Washer</p> <hr/> <p>POWER : 31W</p> <hr/> <p>LUMENS : 1641lm</p> <hr/> <p>CBCP : /</p> <hr/> <p>EFFICACY : 53lm/W</p> <hr/>
---	--	---	--